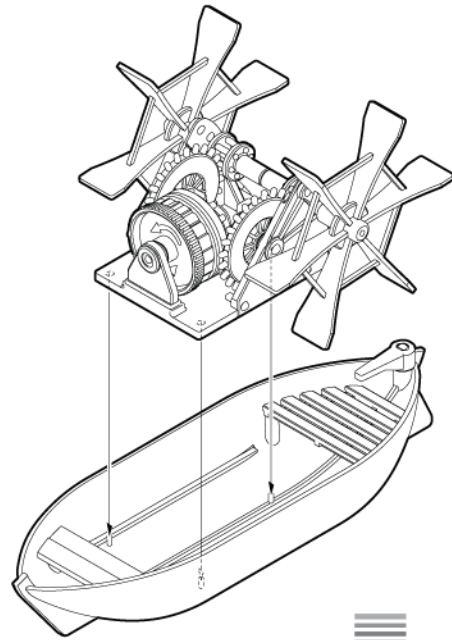
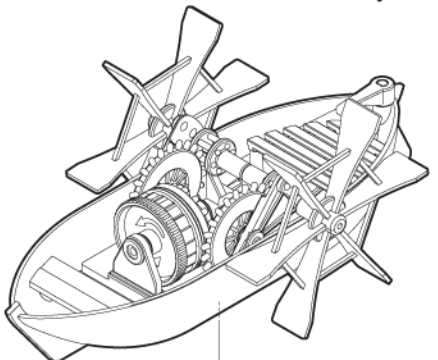


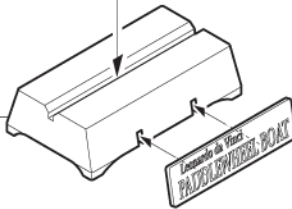
6



7

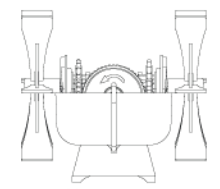


B8

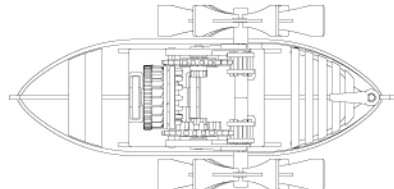


B12

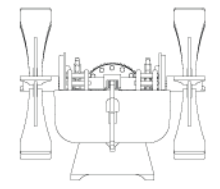
■ Finished Model Views



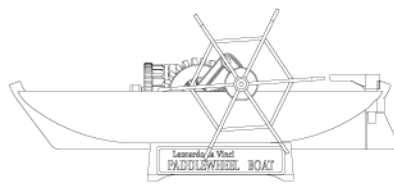
<Front>



<Top>



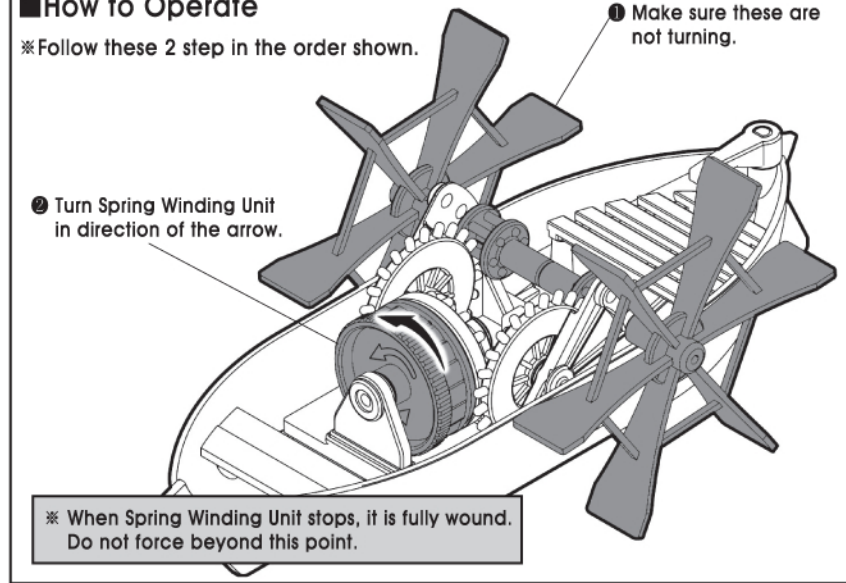
<Back>



<Side>

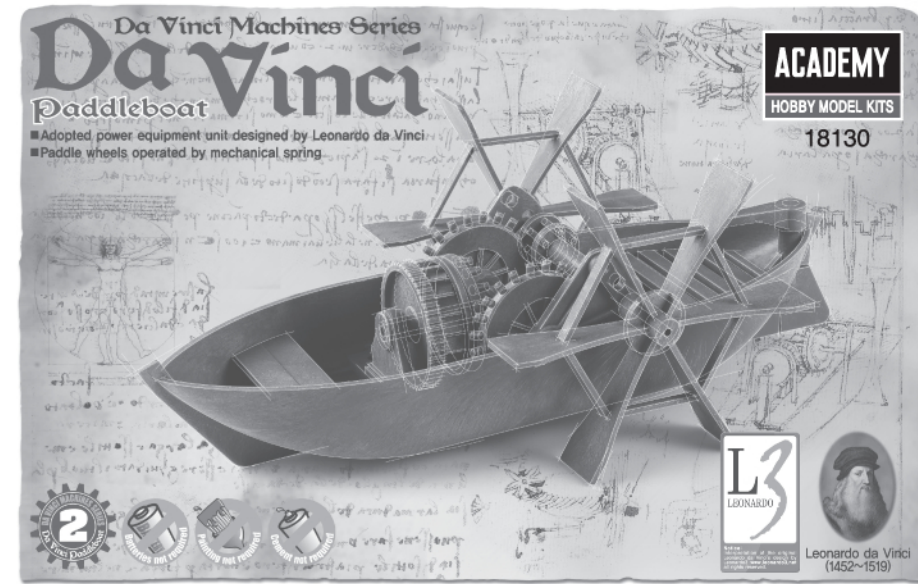
■ How to Operate

※ Follow these 2 step in the order shown.



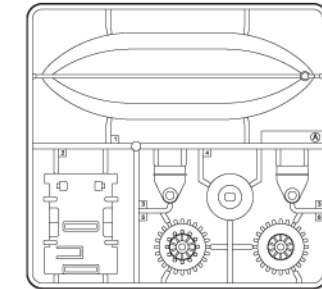
※ When Spring Winding Unit stops, it is fully wound. Do not force beyond this point.

ACADEMY HOBBY MODEL KITS ACADEMY ACADEMY PLASTIC MODEL CO., LTD. 521-1, Yonghyeon-dong, Ulsongbu-4, Gyeonggi-do, Korea

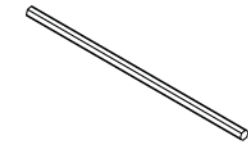
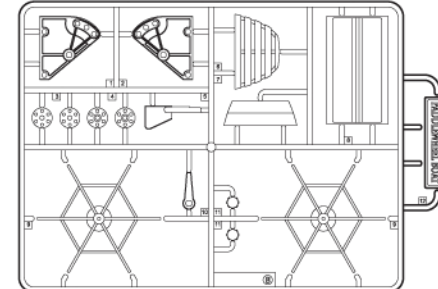


⚙️ Parts Locating Diagram

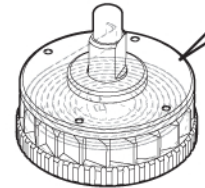
A



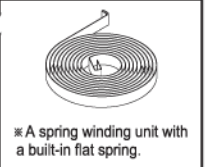
B



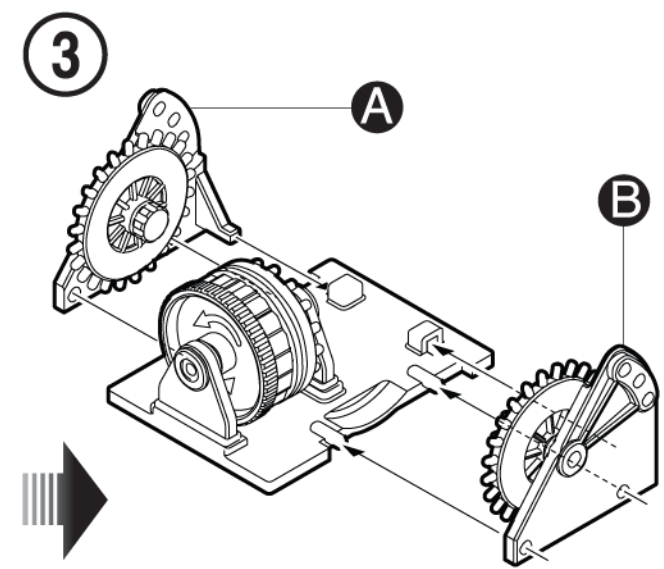
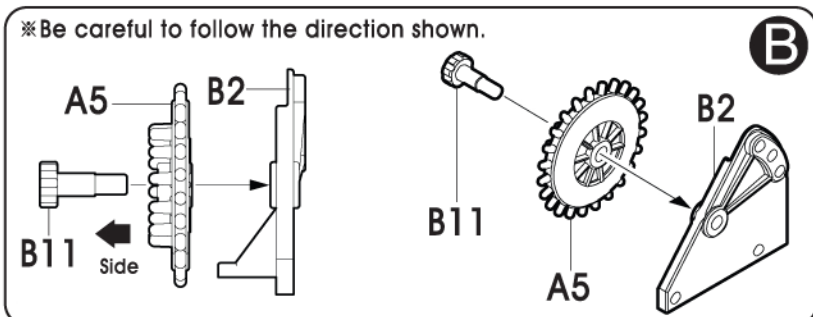
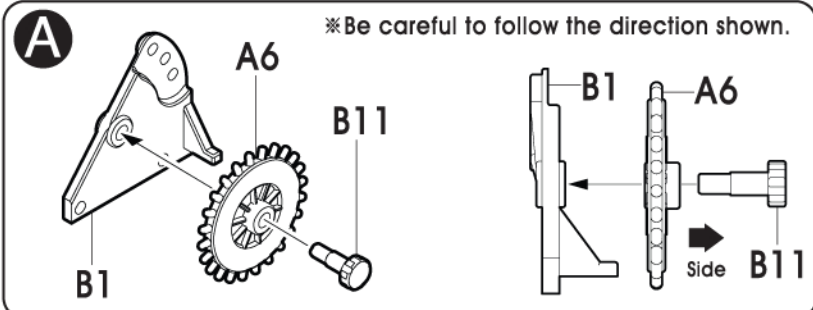
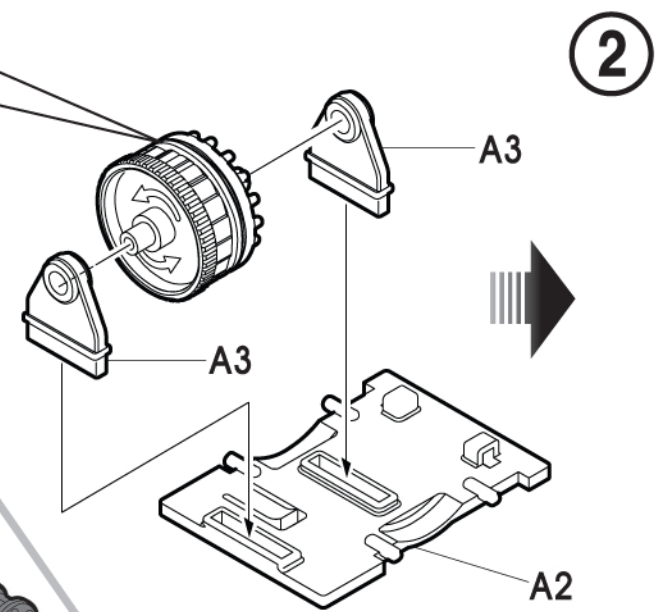
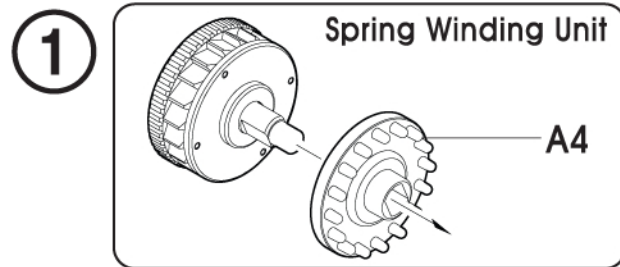
Shaft



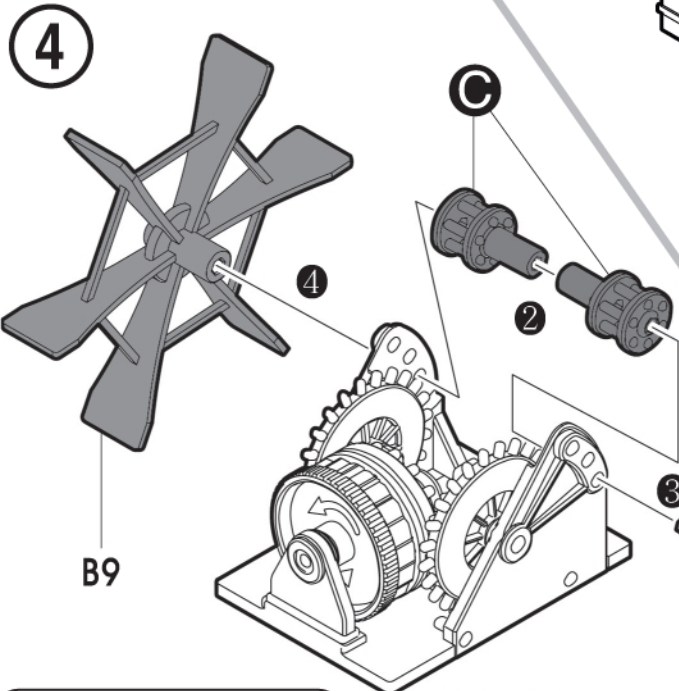
Spring Winding Unit



※ A spring winding unit with a built-in flat spring.



*Strictly follow assembly as shown in diagram.



*Strictly follow assembly as shown in diagram.

*Strictly follow the assembly order as shown by the numbers.

