

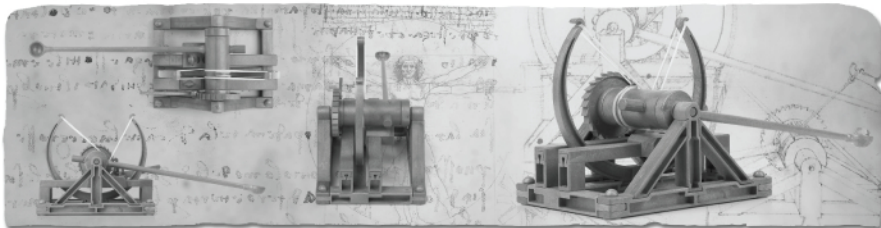
⚠ Caution For Safe Catapult Operation

※ This kit is a reproduction of a projectile launcher that operates through the use of stored energy.

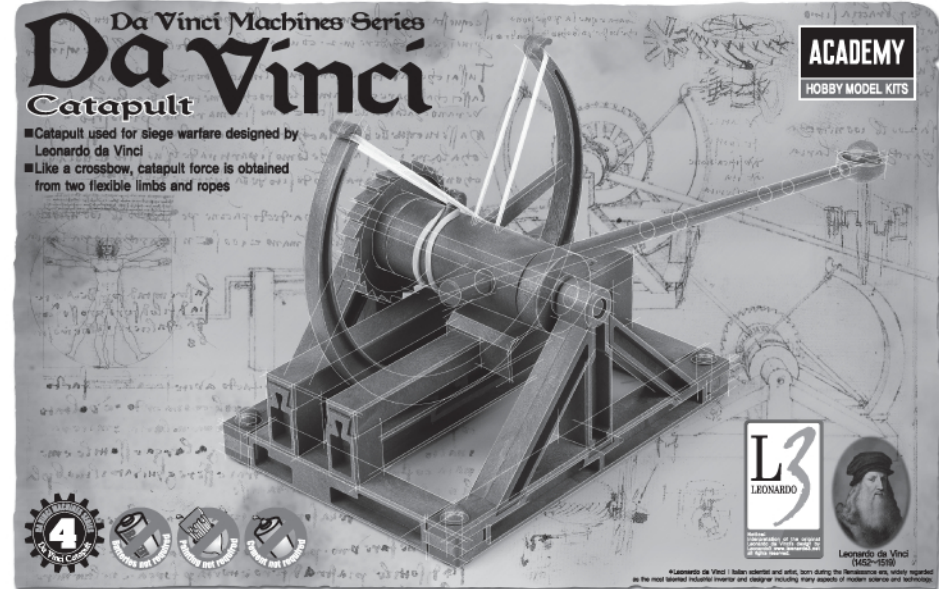
- ❶ Never launch any projectile in the direction of a person.
- ❷ Do not operate near a person's face.
- ❸ Do not put a projectile or any part of this kit into your mouth.
- ❹ Do not alter or modify any part of the kit in an effort to increase projectile force.



● Finished Model View



ACADEMY
ACADEMY PLASTIC MODEL CO., LTD.
HOBBY MODEL KITS
821-1, Yonghyeon-dong, Uijeongbu-si, Gyeonggi-do, Korea

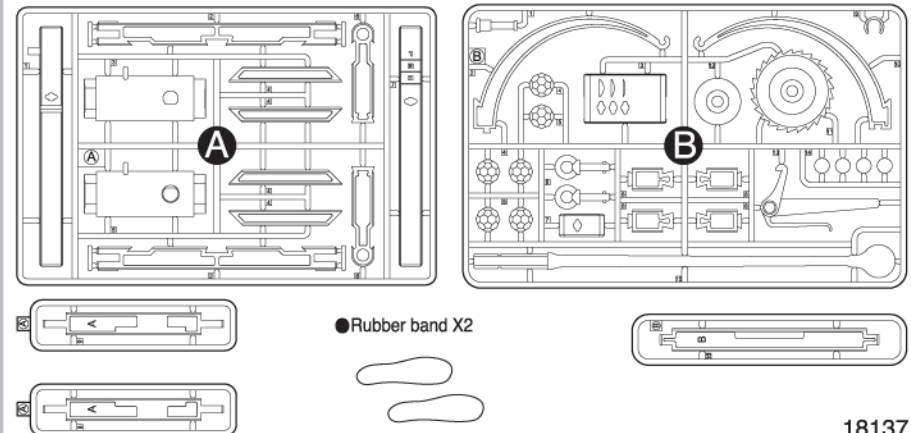


● Leonardo da Vinci Catapult

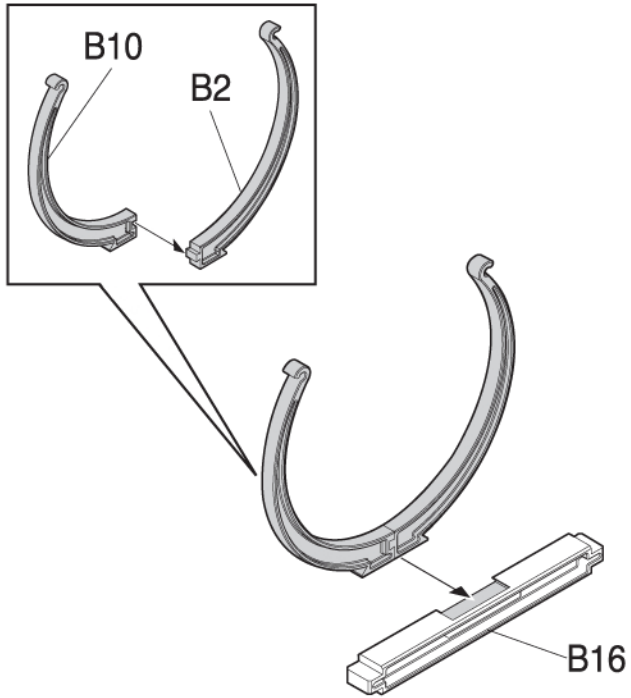
Catapults originated in ancient times as weapons used in siege warfare; designed to throw rough and heavy rocks towards enemy lines and fortifications.

Leonardo da Vinci sought to increase the destructive power of the weapon, but also improved practicality and operation. His design used flexible limbs (similar to a crossbow) that stored energy, surpassing the fundamental operational principles and power of existing catapults, thus increasing the driving force of thrown projectiles.

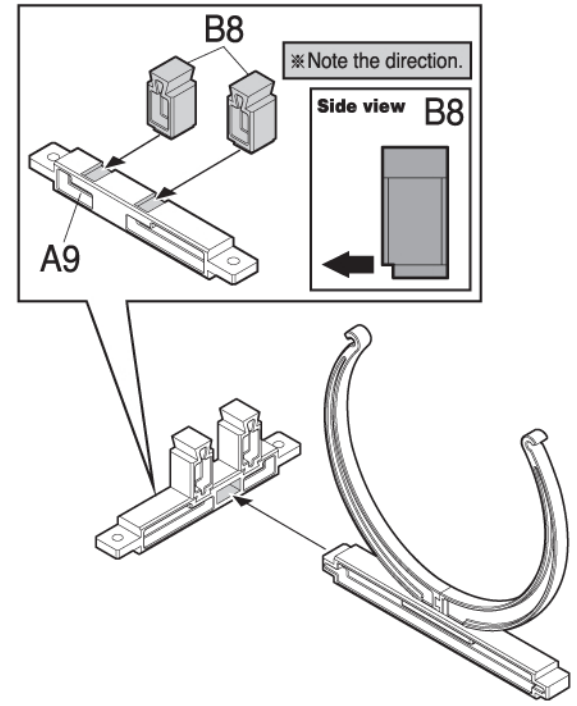
⚙ Parts Locating Diagram



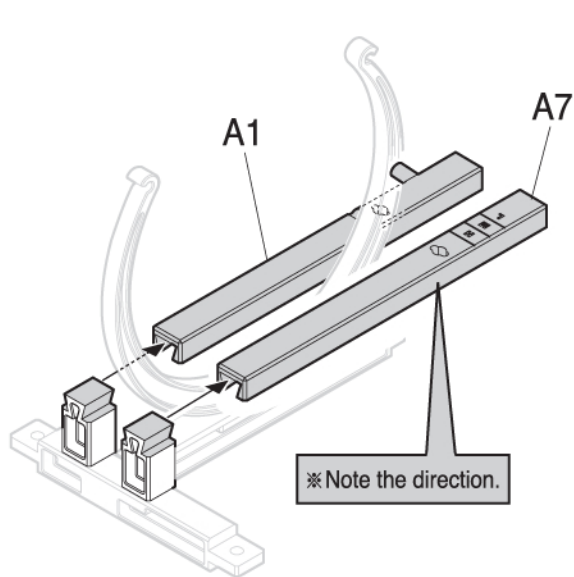
1



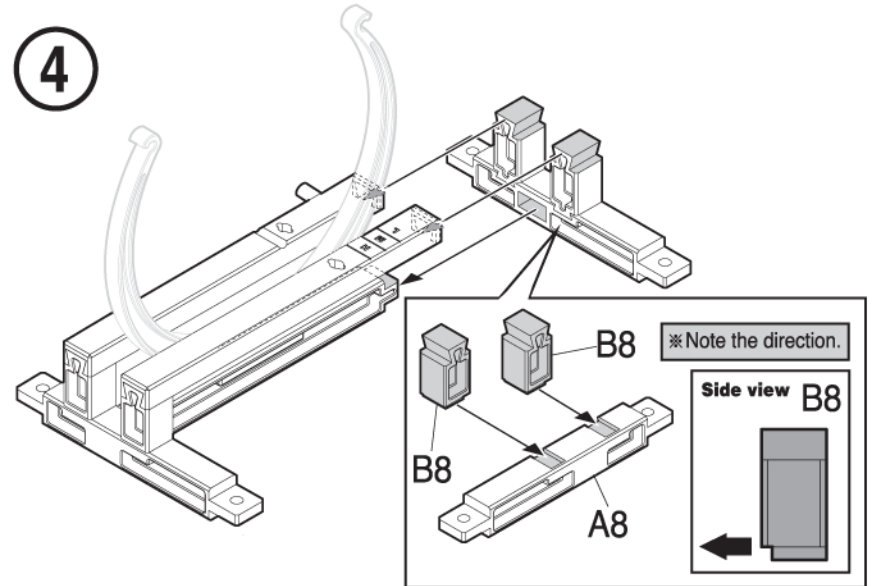
2



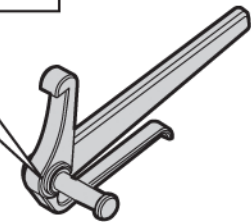
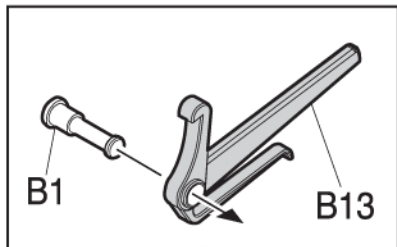
3



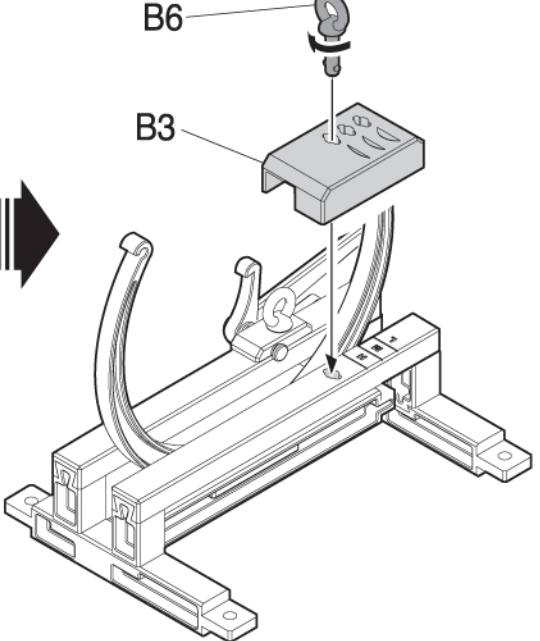
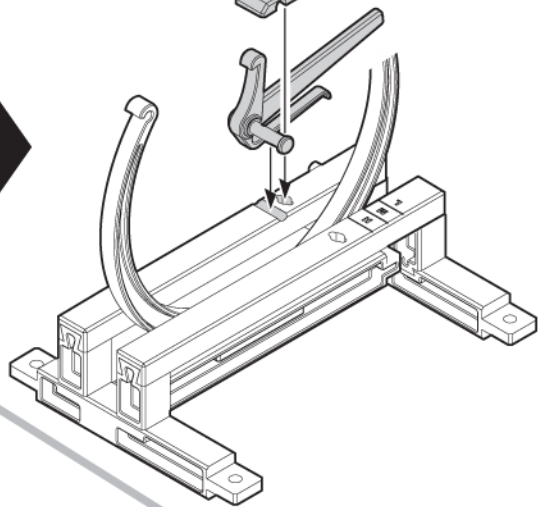
4



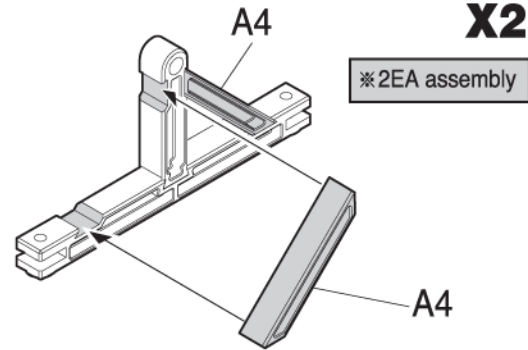
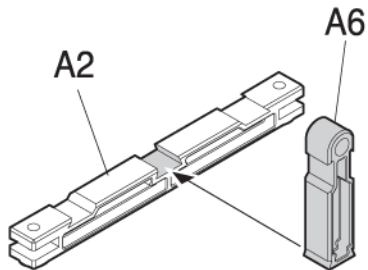
5



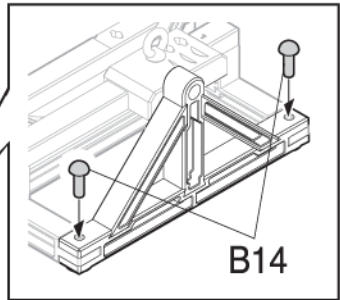
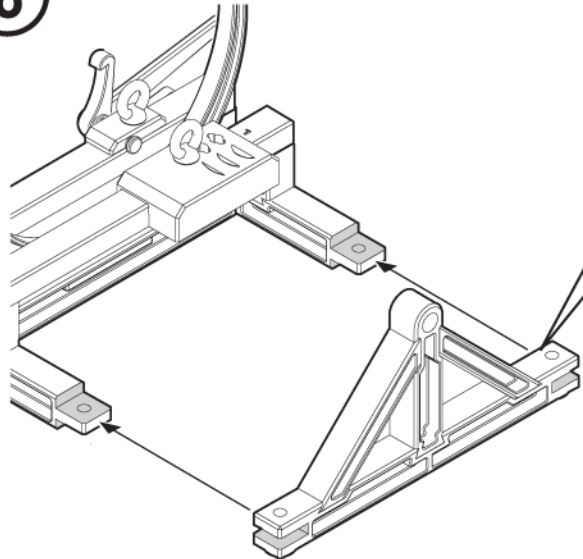
6



7

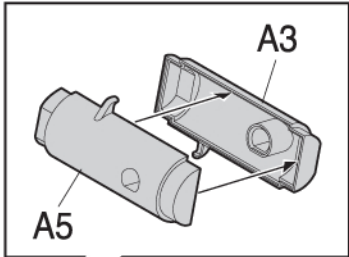


8



9

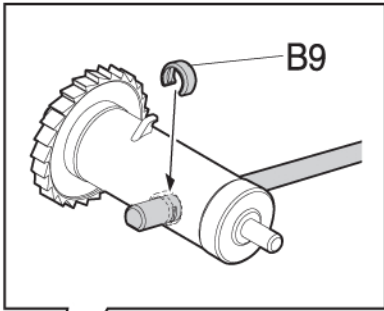
B11



A5

A3

B12



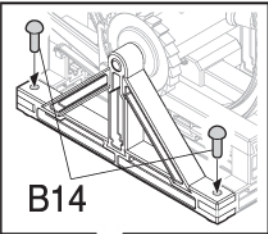
B9

B15

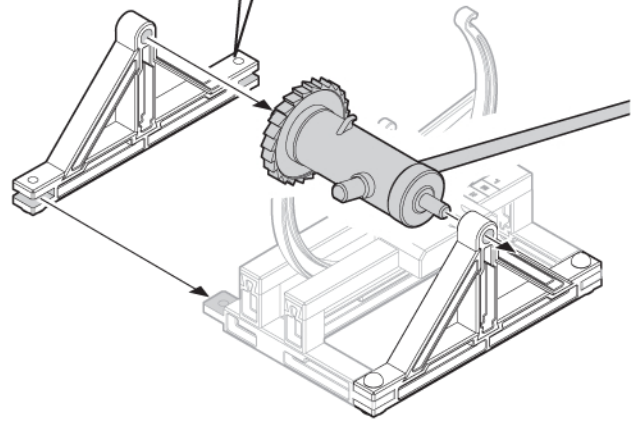


※ Note the direction.

10

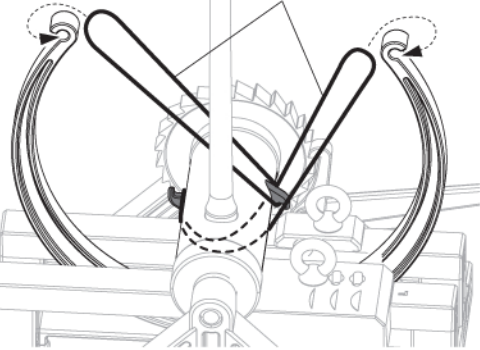


B14



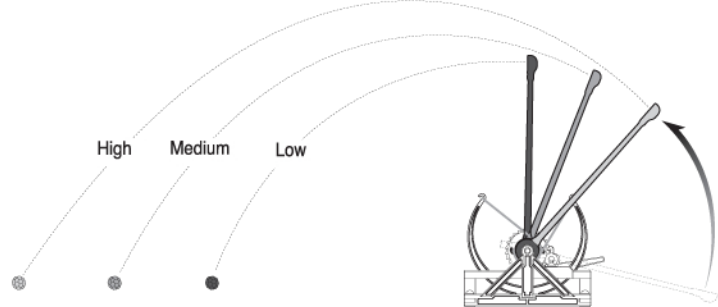
11

Rubber band

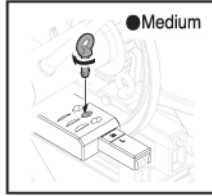


■ Trajectory selection

High Medium Low



● High



● Medium



● Low

■ How to Operate

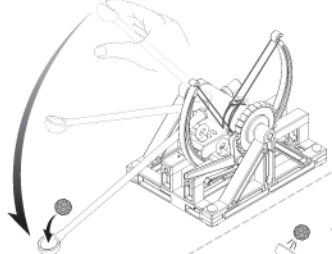
※ Follow these two steps in the order shown.

1



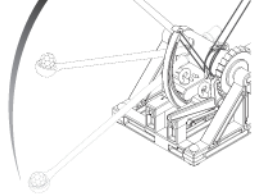
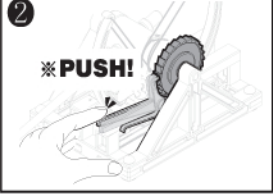
B4

B5



2

※ PUSH!



Side view

Rubber band

Rubber band

