



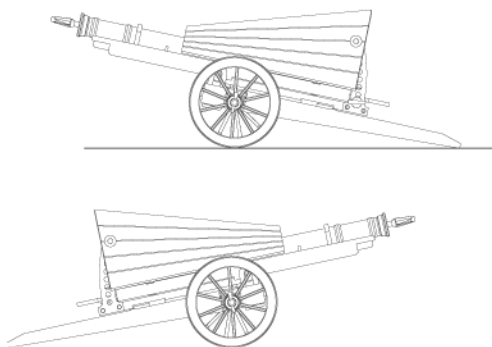
## Caution For Safe Spingarde Operation

※ This kit is a reproduction of a projectile launcher that operates through the use of a compression spring.

- ❶ Never launch any projectile in the direction of a person.
- ❷ Do not operate near a person's face.
- ❸ Do not put a projectile or any part of this kit into your mouth.
- ❹ Do not alter or modify any part of the kit in an effort to increase projectile force.



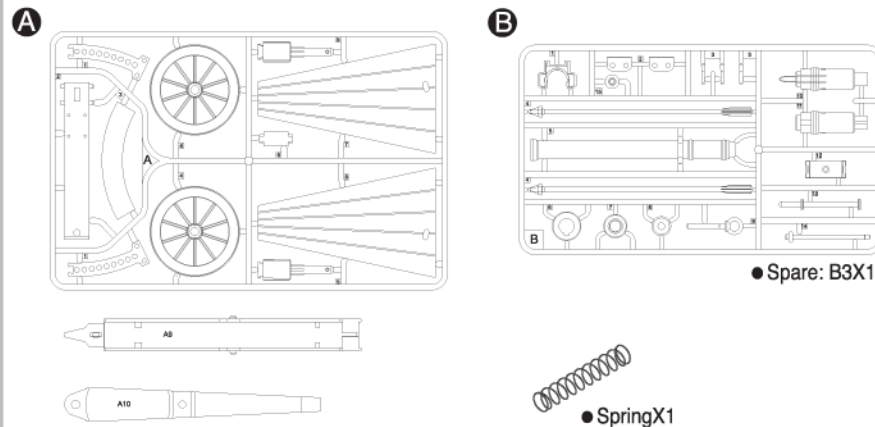
### ■ Finished model view



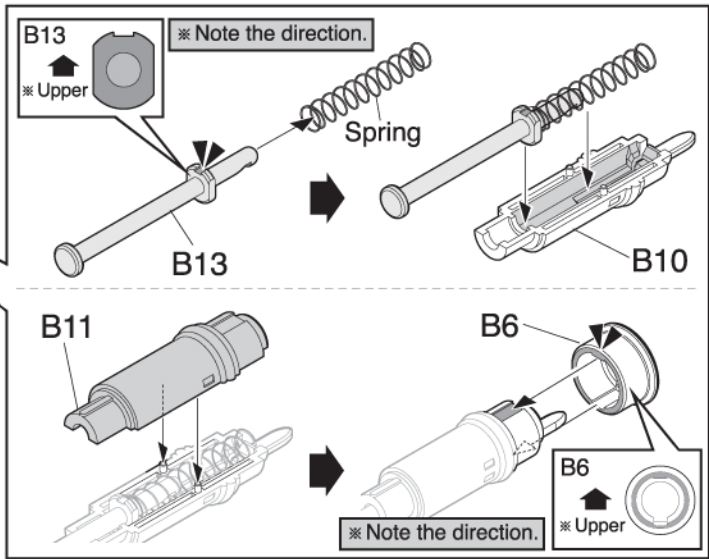
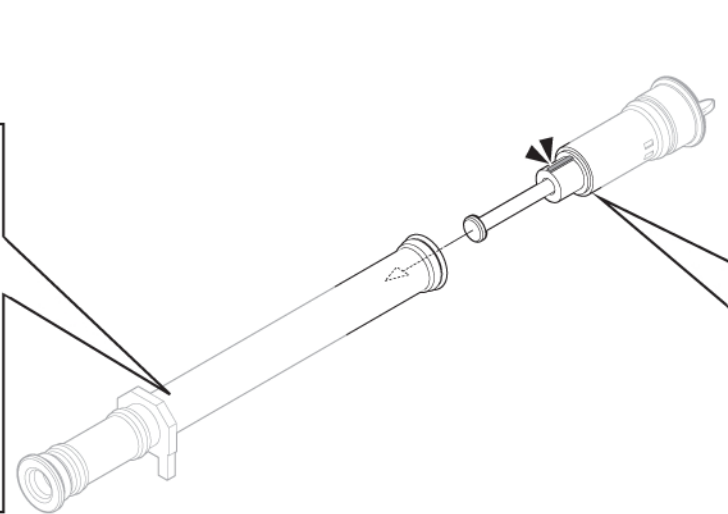
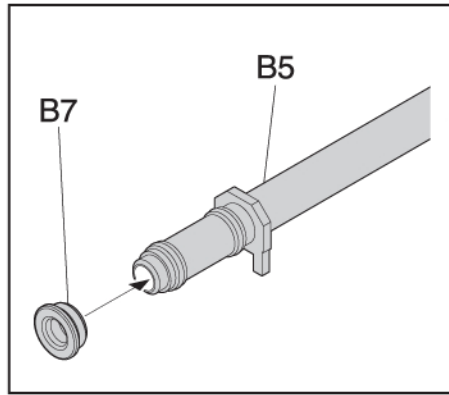
### ● Leonardo da Vinci Spingarde

Launcher was placed on a firm wooden structure and could launch projectiles at targets over a wide range, due to its ability to move in all directions. Although heavy, efficient aiming was not difficult, making it highly functional on the battle field.

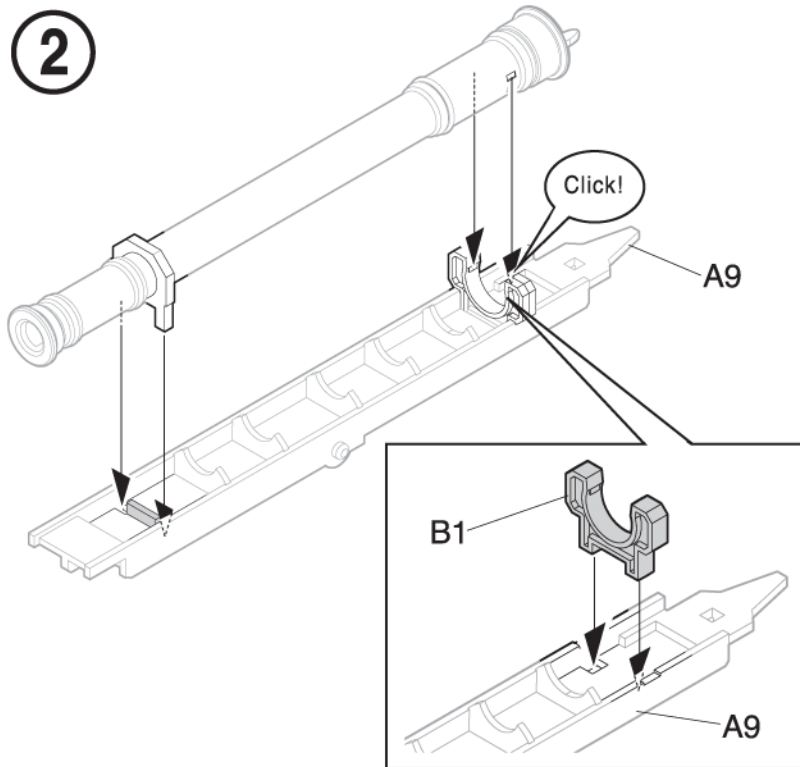
### ⚙️ Parts Locating Diagram



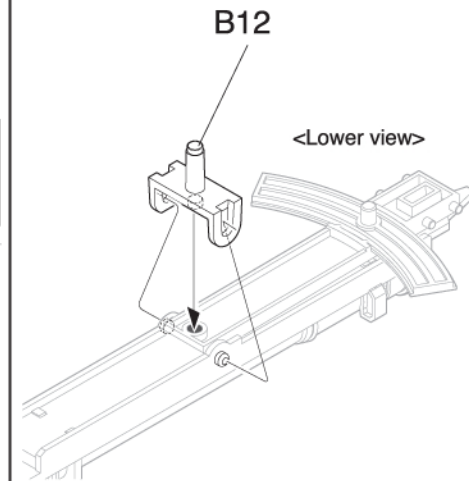
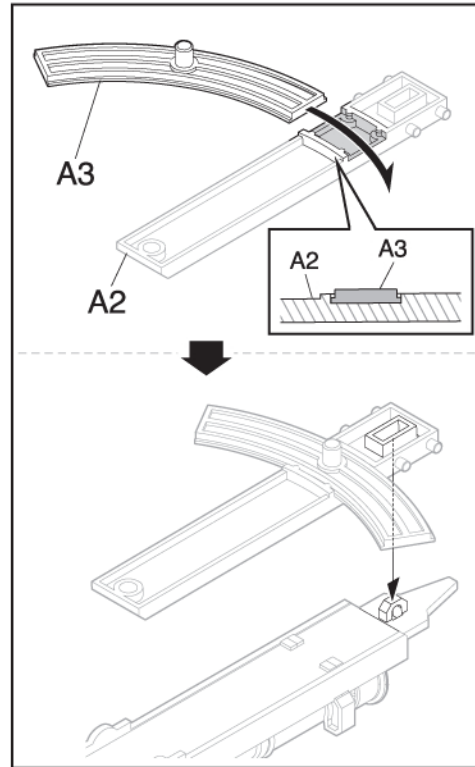
1



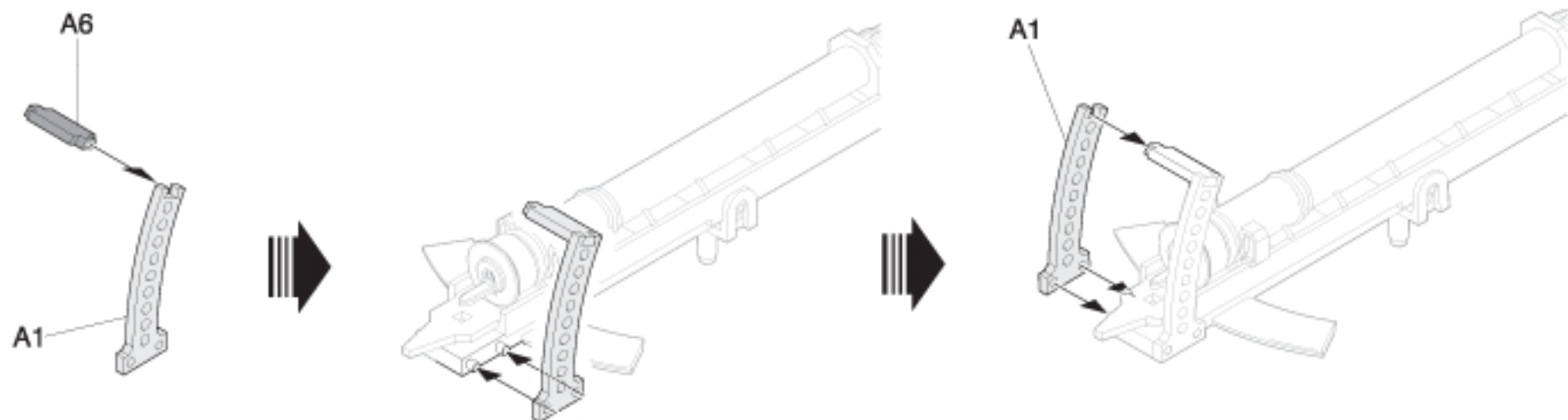
2



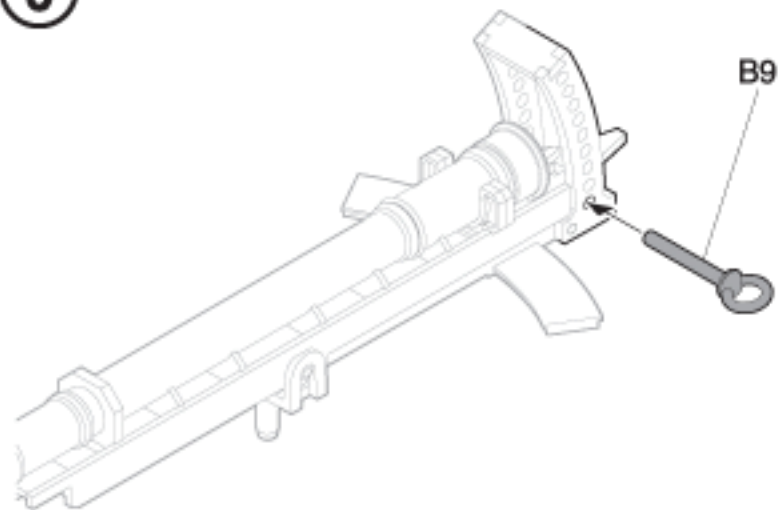
3



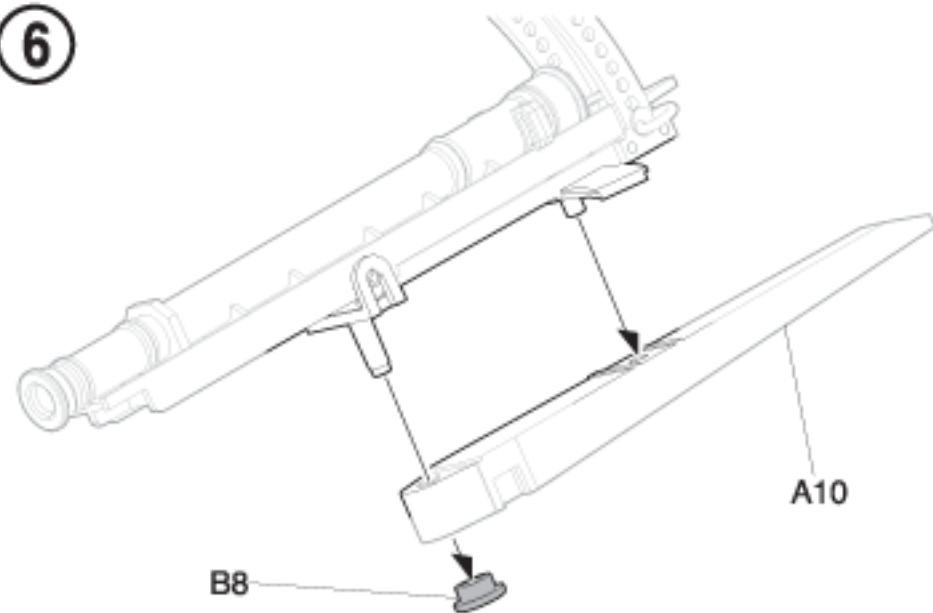
4



5

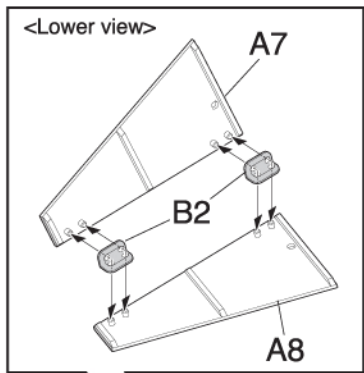
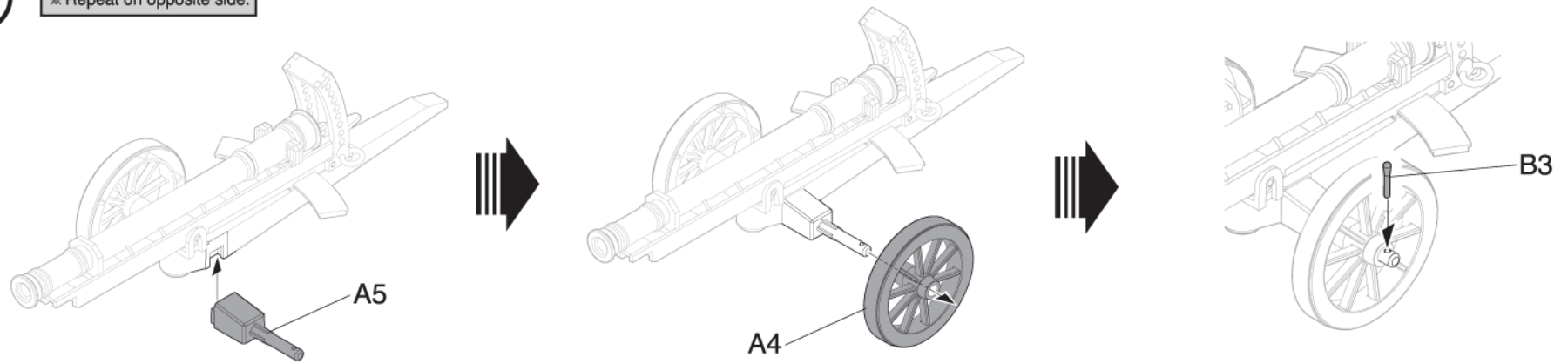


6



7

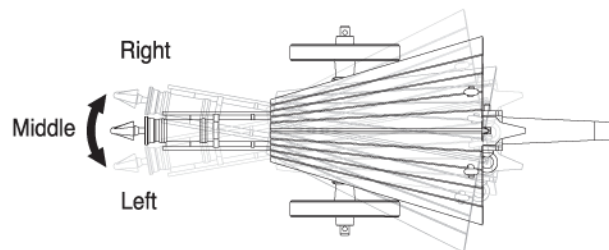
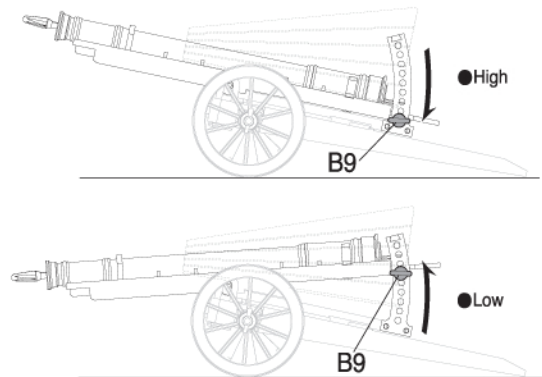
※ Repeat on opposite side.



8

■ Choose the launcher angle

※ Adjust angle by B9 as shown.



■ How to operate

※ Follow these two steps in the order shown.

