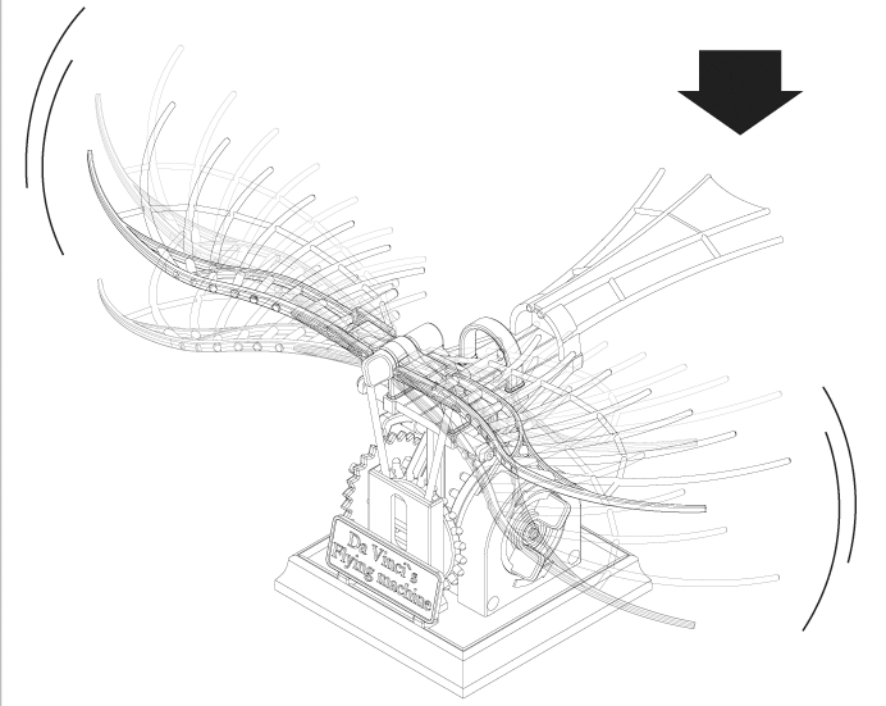
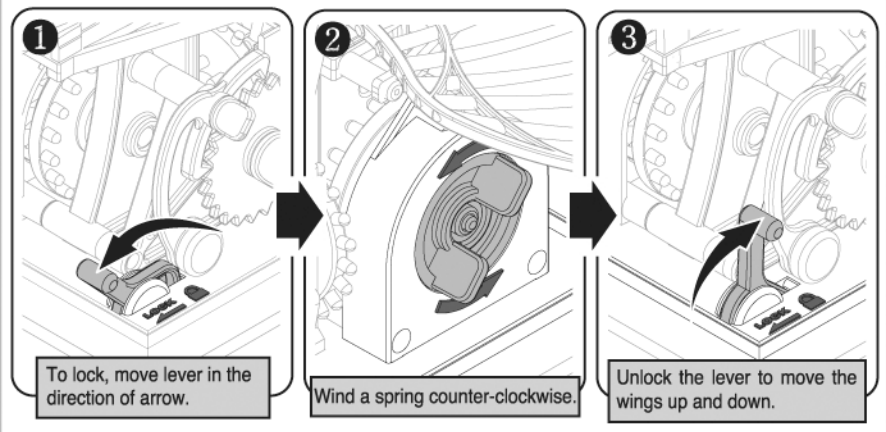


How to work the Flying Machine



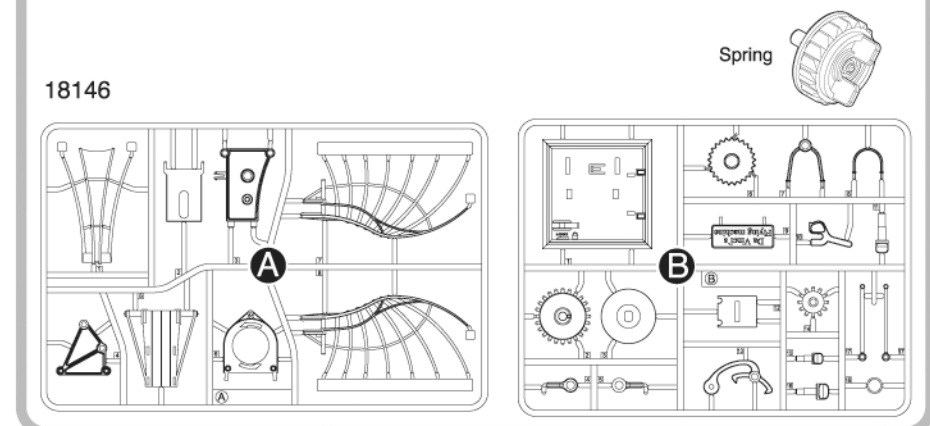
ACADEMY
ACADEMY PLASTIC MODEL CO., LTD.
521-1, Yonghyeon-dong, Uijeongbu-si, Gyeonggi-do, Korea



The Flying Machine was designed to be controlled by a man lying horizontally using his arms and legs to move the wings. Although it never became practical, the Flying Machine was invented in the 15th century by Leonardo da Vinci. It demonstrated a good combination of natural and mechanical movement.

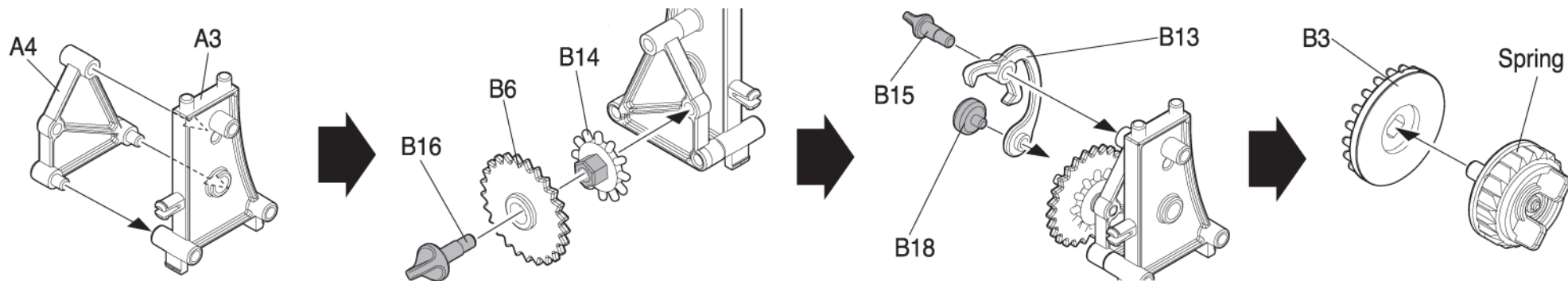
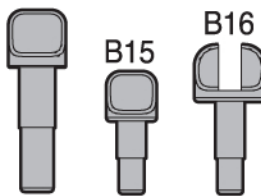
Considerations:
Leonardo did not use the idea of the rotary - reciprocating motion in this flight machine
This Flight machine used man's arms and legs to operate it
The machine does not work with flip flap
The original idea was to recreate the BENDIG of the wings with a complex wire movement (NOT flip flap)

Parts Location Diagram

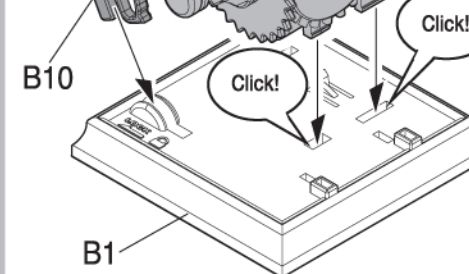


1

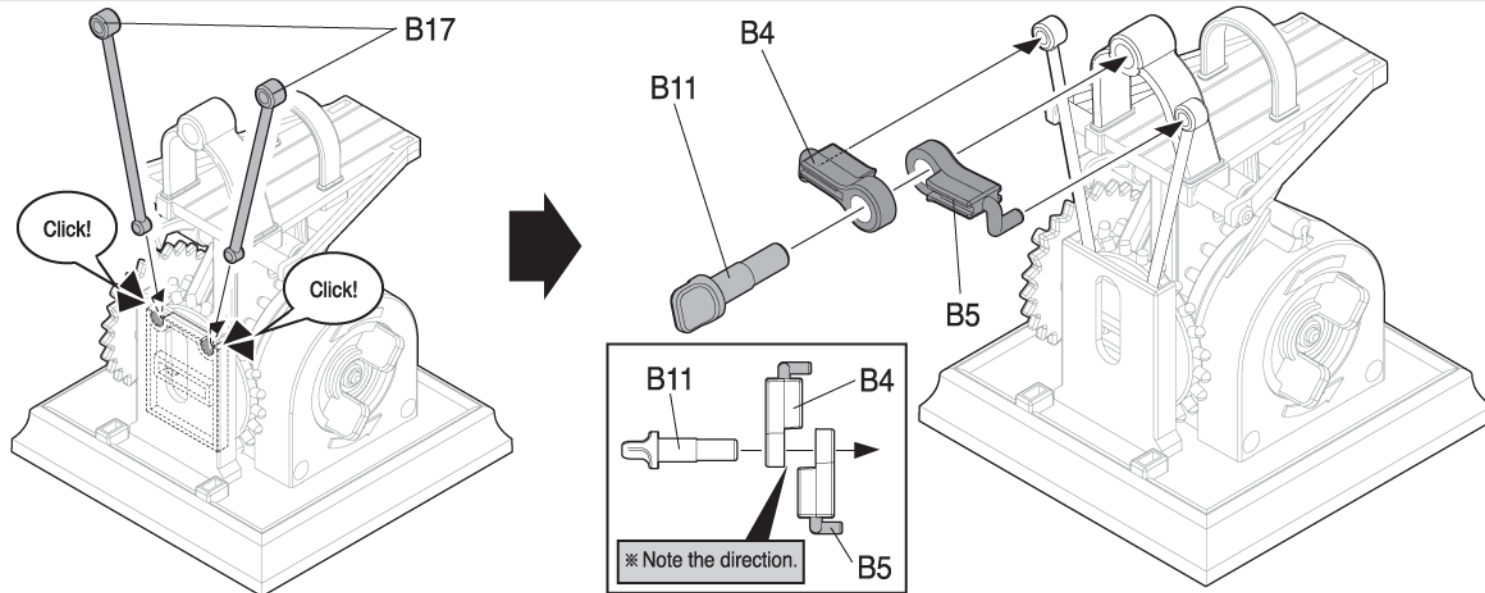
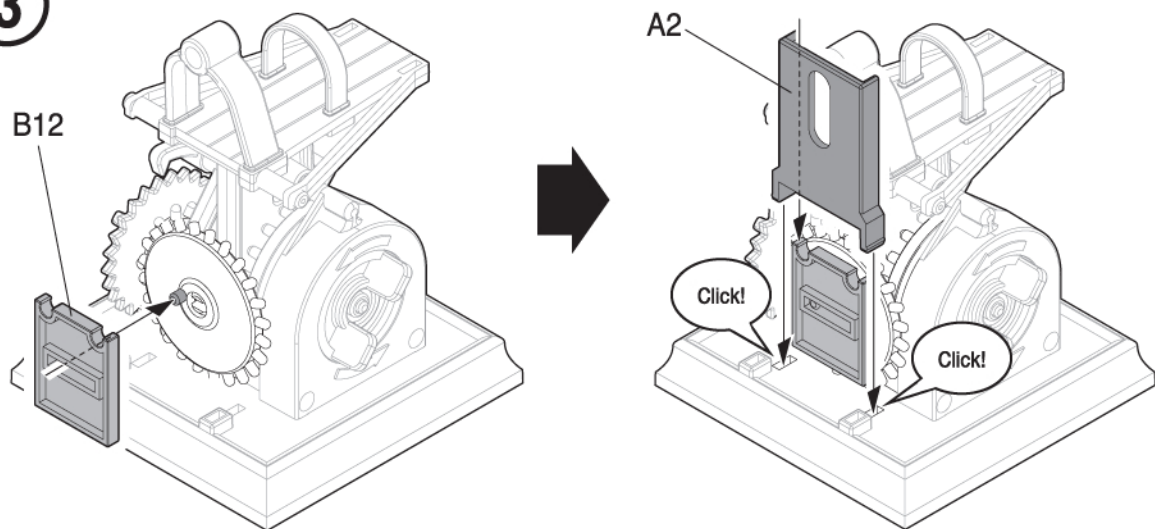
Actual size

**2**

Press until it clicks! into place.

**3**

B12



※ Note the direction.